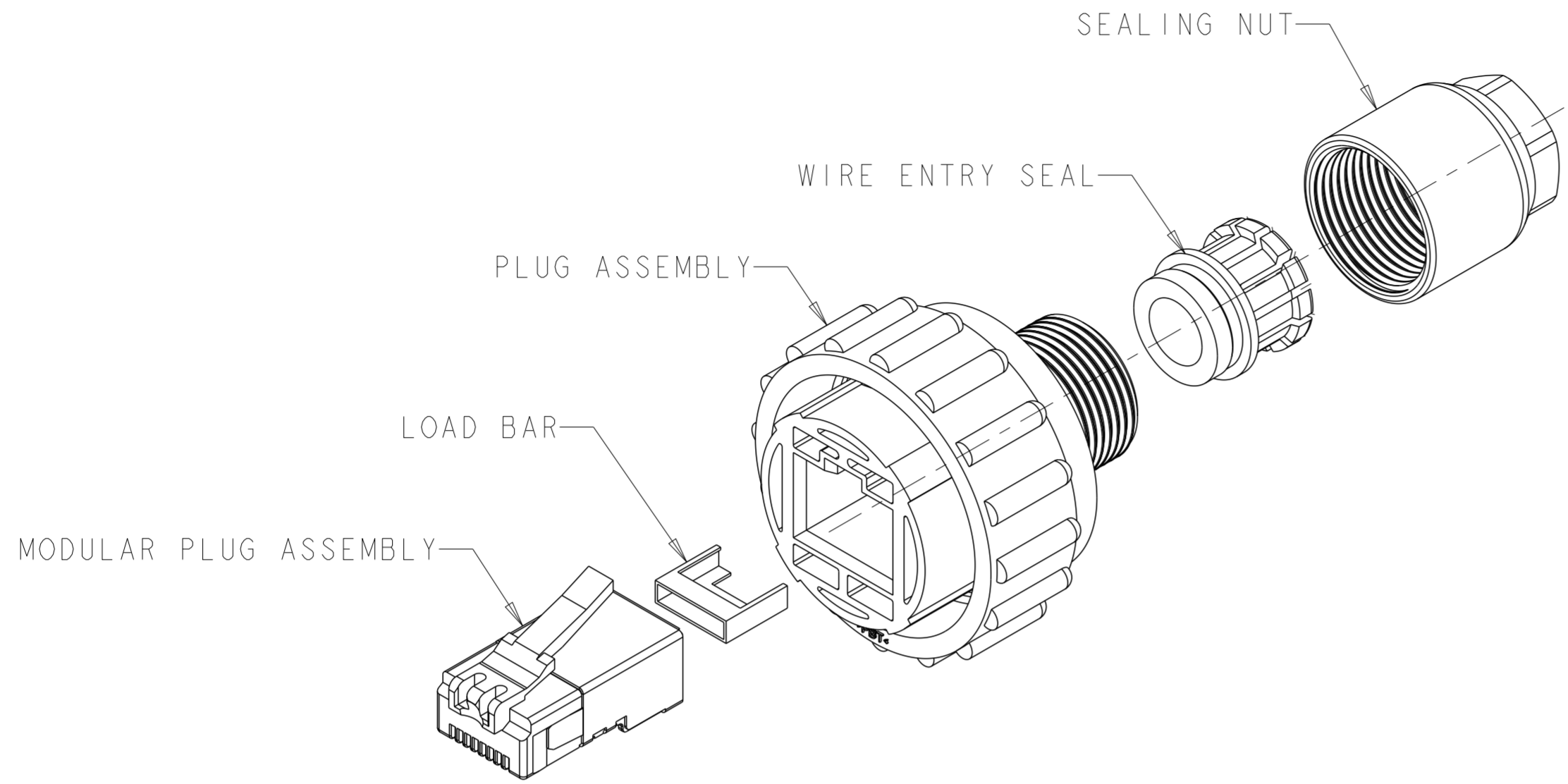
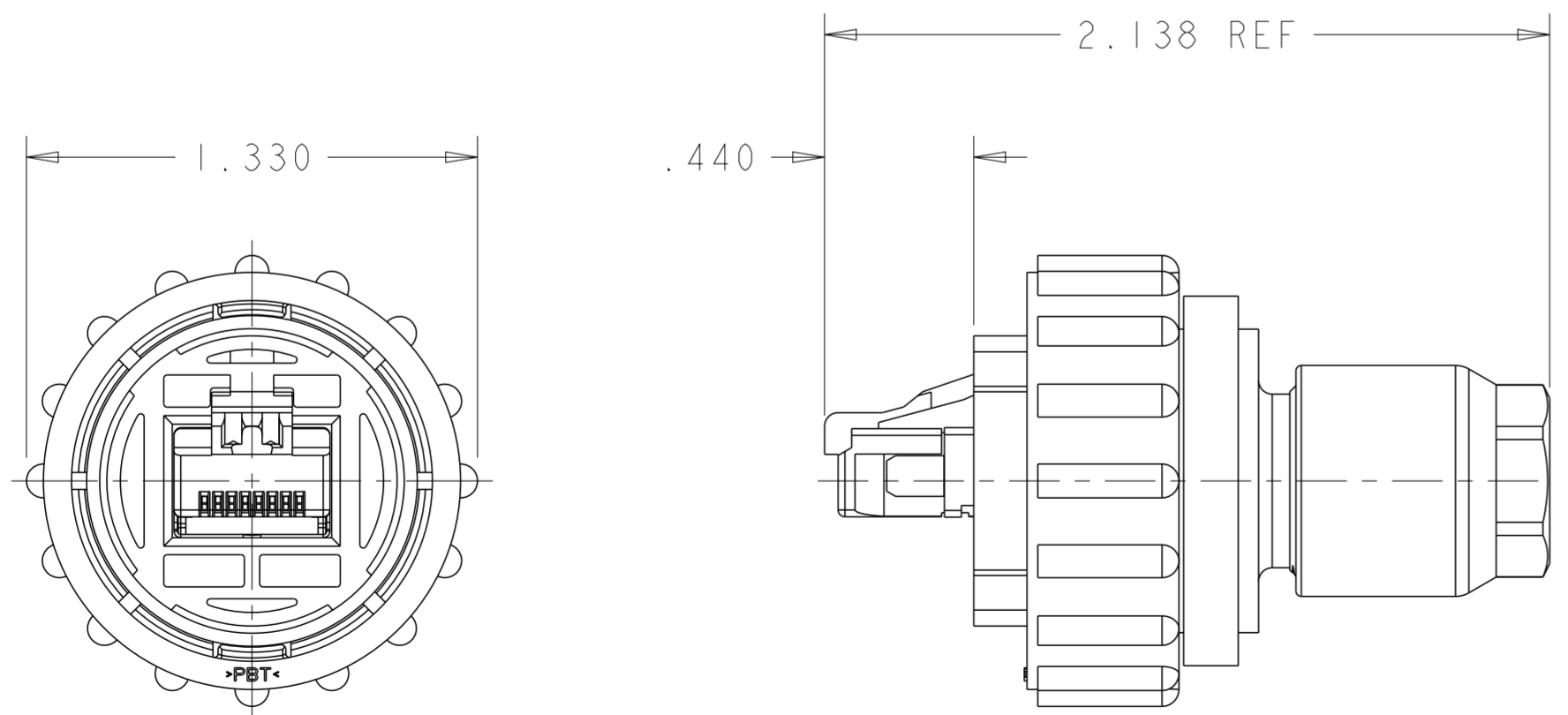


THIS DRAWING IS UNPUBLISHED. RELEASED FOR PUBLICATION 20  
 © COPYRIGHT 20 BY - ALL RIGHTS RESERVED.

REVISIONS				
P	LTR	DESCRIPTION	DATE	APVD
C		REVISED PER ECO-14-010700	28OCT2014	NK MB



- 1 PARTS PACKAGED UNASSEMBLED.
- 2 CABLE DIAMETER RANGE: .180[4.6]-.236[6.0].



ASSEMBLED VIEW

STRANDED	1546907-2
SOLID	1546907-1
WIRE TYPE	PART NUMBER

THIS DRAWING IS A CONTROLLED DOCUMENT.		DWN S. WELDON 08MAR2004	TE Connectivity		
DIMENSIONS: INCHES		CHK H. WAKEEM 08MAR2004			
TOLERANCES UNLESS OTHERWISE SPECIFIED:		APVD H. WAKEEM 08MAR2004			
0 PLC ± 1 PLC ±0.1 2 PLC ±0.02 3 PLC ±0.005 4 PLC ±0.0005 ANGLES ± FINISH		NAME PLUG KIT, UNASSEMBLED, SHIELDED, CPC INDUSTRIAL ETHERNET APPLICATION SPEC 114-13137 WEIGHT - CUSTOMER DRAWING			
MATERIAL	-	SIZE A2	CAGE CODE 00779	DRAWING NO. C-1546907	RESTRICTED TO -
SCALE 2:1			SHEET 1	OF 1	REV C